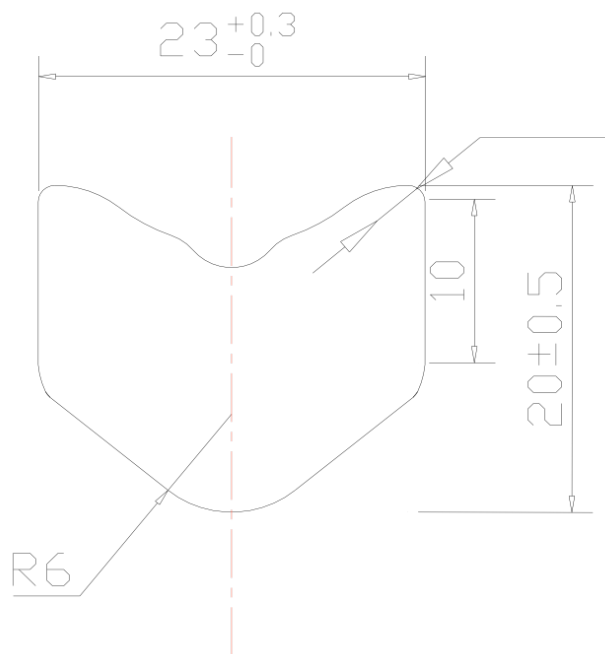


# **CARBON ROAD RIMS**

period of validity: Jan. 1, 2018 - Dec. 31, 2018

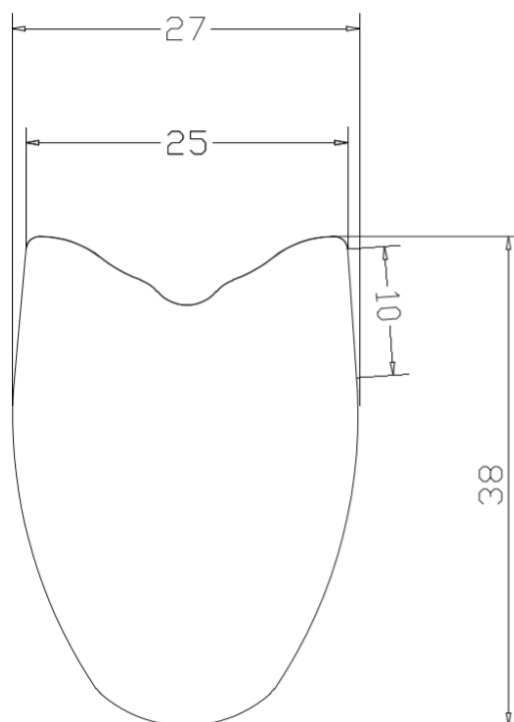
**BLADEx BICYCLE COPONENTS LIMITED**

# Model: **SDM 2T**



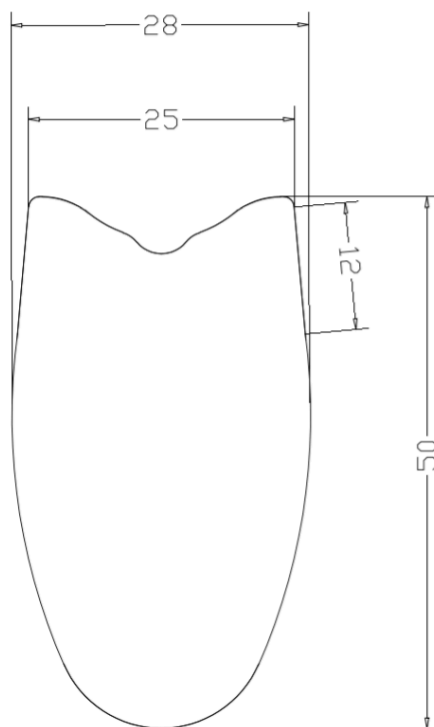
20mm Tubular	Standard Version	Light Version
Weight	250g	240g
Material	TORAYCA® T700	TORAYCA® T800
Braking Tech	1. Basalt Fiber Surface 2. 190°C TG Resin	1. Basalt Fiber Surface 2. 255°C TG Resin
Surface Weave	3K/UD/18K	3K/UD/18K
Spoke Holes	16-36	16-36
ERD	606mm	606mm

# Model: **SDM 4T**



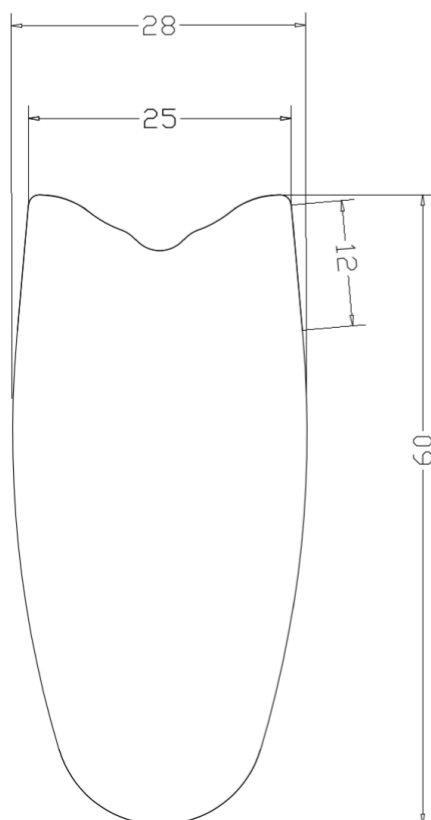
38mm Tubular	Standard Version	Light Version
Weight	360g	325g
Material	TORAYCA® T700	TORAYCA® T800
Braking Tech	1. Basalt Fiber Surface 2. 190°C TG Resin	1. Basalt Fiber Surface 2. 255°C TG Resin
Surface Weave	3K/UD/18K	3K/UD/18K
Spoke Holes	16-36	16-36
ERD	569mm	569mm

# Model: **SDM 5T**



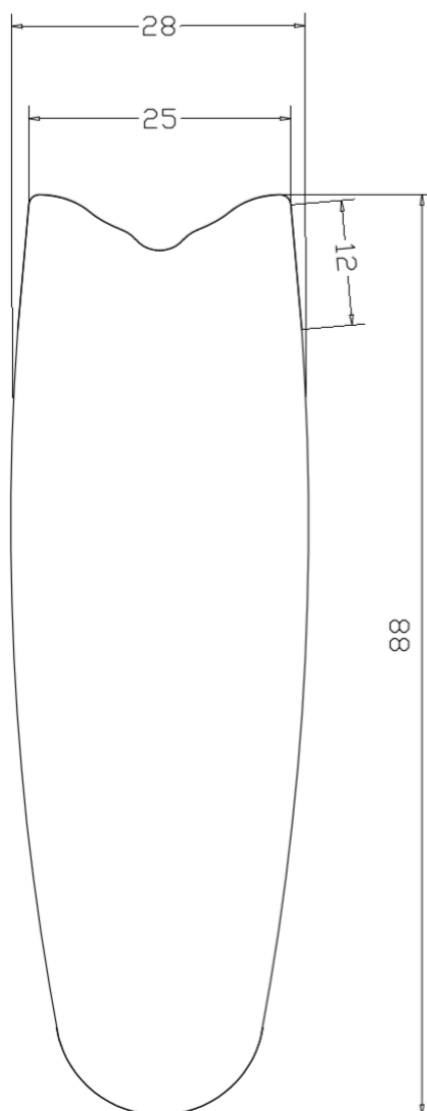
50mm Tubular	Standard Version	Light Version
Weight	410g	370g
Material	TORAYCA® T700	TORAYCA® T800
Braking Tech	1. Basalt Fiber Surface 2. 190°C TG Resin	1. Basalt Fiber Surface 2. 255°C TG Resin
Surface Weave	3K/UD/18K	3K/UD/18K
Spoke Holes	16-36	16-36
ERD	545mm	545mm

# Model: **SDM 6T**



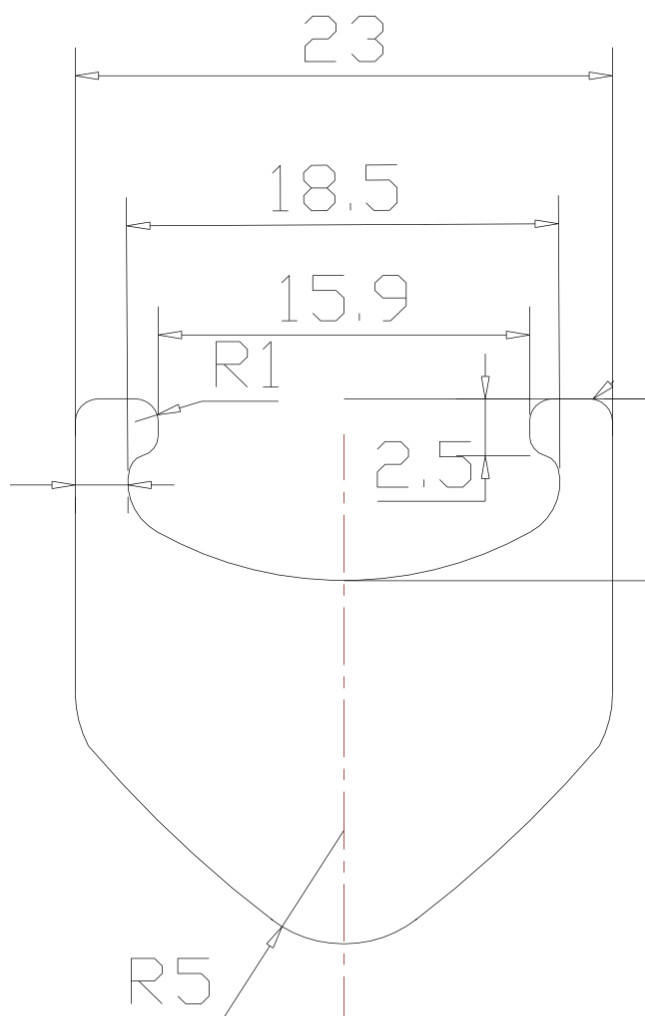
60mm Tubular	Standard Version	Light Version
Weight	480g	415g
Material	TORAYCA® T700	TORAYCA® T800
Braking Tech	1. Basalt Fiber Surface 2. 190°C TG Resin	1. Basalt Fiber Surface 2. 255°C TG Resin
Surface Weave	3K/UD/18K	3K/UD/18K
Spoke Holes	16-36	16-36
ERD	525mm	525mm

# Model: **SDM 9T**



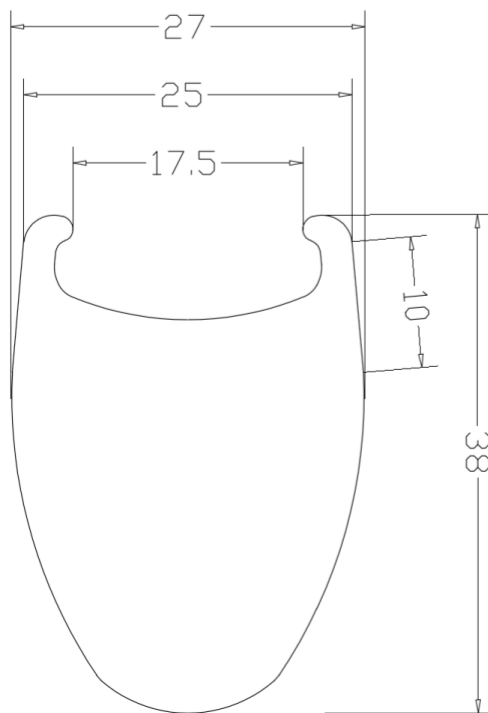
88mm Tubular	Standard Version	Light Version
Weight	530g	480g
Material	TORAYCA® T700	TORAYCA® T800
Braking Tech	1. Basalt Fiber Surface 2. 190°C TG Resin	1. Basalt Fiber Surface 2. 255°C TG Resin
Surface Weave	3K/UD/18K	3K/UD/18K
Spoke Holes	16-36	16-36
ERD	469mm	469mm

# Model: **SDM 2C**



24mm Clincher	Standard Version	Light Version
Weight	420g	400g
Material	TORAYCA® T700	TORAYCA® T800
Braking Tech	1. Basalt Fiber Surface 2. 190°C TG Resin	1. Basalt Fiber Surface 2. 255°C TG Resin
Surface Weave	3K/UD/18K	3K/UD/18K
Spoke Holes	16-36	16-36
ERD	598mm	598mm

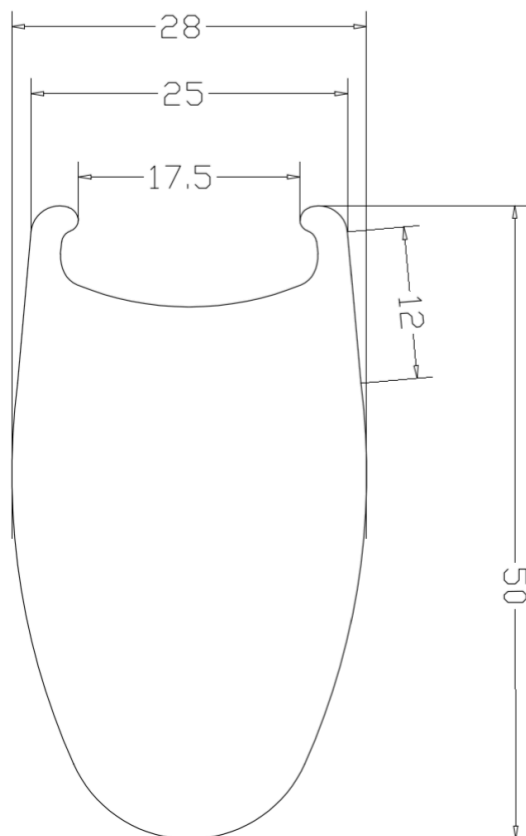
# Model: **SDM 4C**



38mm Clincher	Standard Version	Light Version
Weight	470g	420g
Material	TORAYCA® T700	TORAYCA® T800
Braking Tech	1. Basalt Fiber Surface 2. 190°C TG Resin	1. Basalt Fiber Surface 2. 255°C TG Resin
Surface Weave	3K/UD/18K	3K/UD/18K
Spoke Holes	16-36	16-36
ERD	569mm	569mm

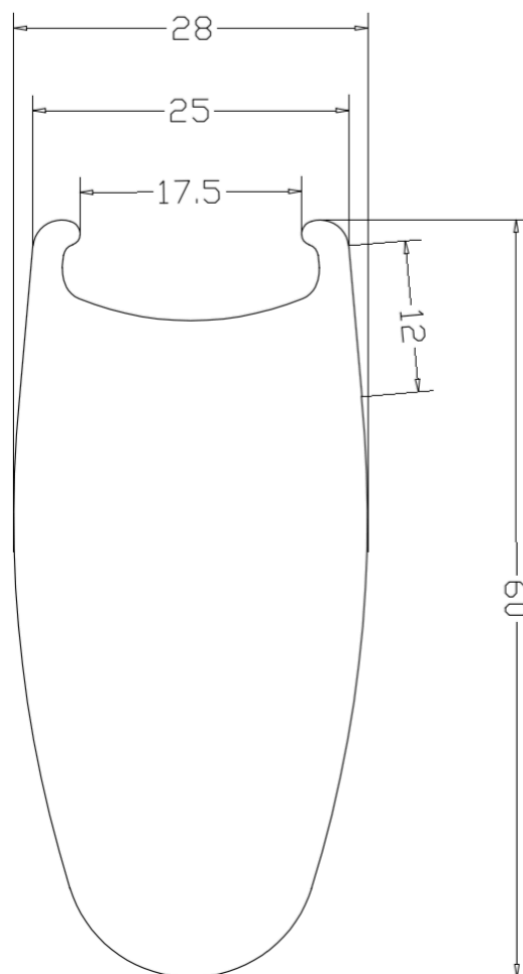


# Model: **SDM 5C**



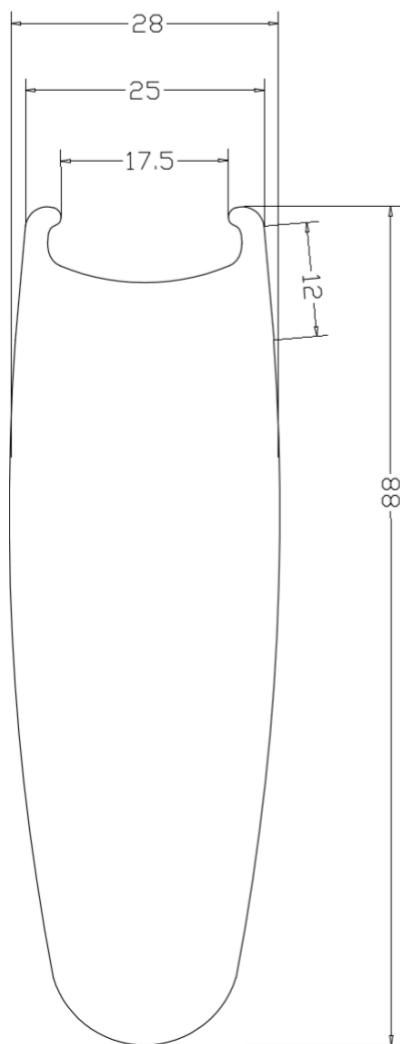
50mm Clincher	Standard Version	Light Version
Weight	510g	450g
Material	TORAYCA® T700	TORAYCA® T800
Braking Tech	1. Basalt Fiber Surface 2. 190°C TG Resin	1. Basalt Fiber Surface 2. 255°C TG Resin
Surface Weave	3K/UD/18K	3K/UD/18K
Spoke Holes	16-36	16-36
ERD	545mm	545mm

# Model: **SDM 6C**



60mm Clincher	Standard Version	Light Version
Weight	560g	500g
Material	TORAYCA® T700	TORAYCA® T800
Braking Tech	1. Basalt Fiber Surface 2. 190°C TG Resin	1. Basalt Fiber Surface 2. 255°C TG Resin
Surface Weave	3K/UD/18K	3K/UD/18K
Spoke Holes	16-36	16-36
ERD	525mm	525mm

# Model: **SDM 9C**



88mm Clincher	Standard Version	Light Version
Weight	720g	645g
Material	TORAYCA® T700	TORAYCA® T800
Braking Tech	1. Basalt Fiber Surface 2. 190°C TG Resin	1. Basalt Fiber Surface 2. 255°C TG Resin
Surface Weave	3K/UD/18K	3K/UD/18K
Spoke Holes	16-36	16-36
ERD	469mm	469mm